

ACCESSORIES - ZUBEHÖR

Threadless Plug Baffles
Temperierelemente mit flachem
Teilungsblech (ohne Gewinde)

Material: Brass - MS58 - Messing
O- Ring: Viton
Max. Temp: 180°C



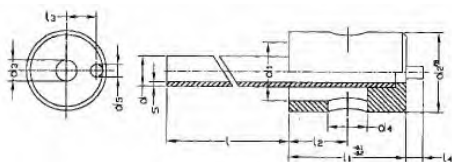
Sipariş No
Order No

	l_1	d_1	d_3	d_5	l_5	b	l_2	s
TLKS 8	13	8	M 3	6	6	6	140	2
TLKS 10	13	10	M 5	8	8	8	180	2
TLKS 12	13	12	M 6	10	10	10	180	2
TLKS 14	16	14	M 6	12	12	12	220	2
TLKS 16	16	16	M 8	15	15	15	250	2
TLKS 18	16	18	M 8	16	16	16	250	2
TLKS 20	20	20	M 10	18	18	18	300	2
TLKS 22	20	22	M 12	20	20	20	300	2
TLKS 26	22	26	M 16	25	25	25	390	2

BKS Cascade / Temperierelemente für Standardbohrungen

Interchangeability-Kompatibilität
HASCO Z/965

Material : MS58 (Brass) - Messing
Max. Temp. : 135°C



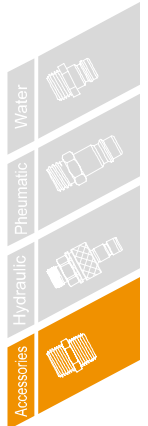
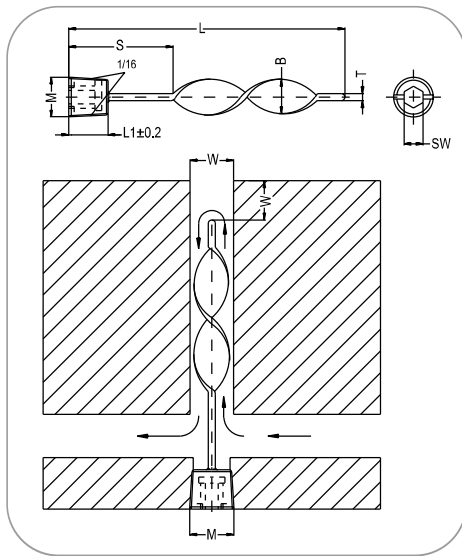
Sipariş No
Order No

	L	L_1	L_2	L_3	L_4	d	d_1	d_2	d_3	d_4	d_5	s
TBKS 10/2.6x0.3x100	100	16	9	3.5	2.5	2.6	4	10	2	4	2	0.3
TBKS 10/2.6x0.3x200	200	16	9	3.5	2.5	2.6	4	10	2	4	2	0.3
TBKS 10/3x0.3x100	100	16	9	3.5	2.5	3	5	10	2.4	4	2	0.3
TBKS 10/3x0.3x200	200	16	9	3.5	2.5	3	6	10	2.4	4	2	0.3
TBKS 10/4x0.5x100	100	16	9	3.5	2.5	4	6	10	3	4	2	0.5
TBKS 10/4x0.5x200	200	16	9	3.5	2.5	4	6	10	3	4	2	0.5
TBKS 12/5x0.5x160	160	18	9	4.5	2.5	5	8	12	4	6	2	0.5
TBKS 12/5x0.5x315	315	18	9	4.5	2.5	5	8	12	4	6	2	0.5
TBKS 16/6x0.5x160	160	18	9	6	2.5	6	12	16	5	6	2	0.5
TBKS 16/6x0.5x315	316	18	9	6	2.5	6	12	16	5	6	2	0.5
TBKS 18/8x1x160	160	18	9	7	2.5	8	14	18	6	6	2	1
TBKS 18/8x1x315	315	18	9	7	2.5	8	14	18	6	6	2	1
TBKS 20/10x1x160	160	20	10	8	2.5	10	16	20	8	8	2	1
TBKS 20/10x1x315	315	20	10	8	2.5	10	16	20	8	8	2	1
TBKS 25/12x1x160	160	25	13	9.5	3	12	20	25	10	10	3	1
TBKS 25/12x1x315	315	25	13	9.5	3	12	20	25	10	10	3	1

Mould Cooling Items
Spiral Blade Plug Baffles
With BSPT / NPT Thread

Kühlungselemente für Formwerkzeuge
Temperierelemente mit Spiralkerne
(NPT-BSPT Gewinde)

Material : MS58 (Brass) - Messing

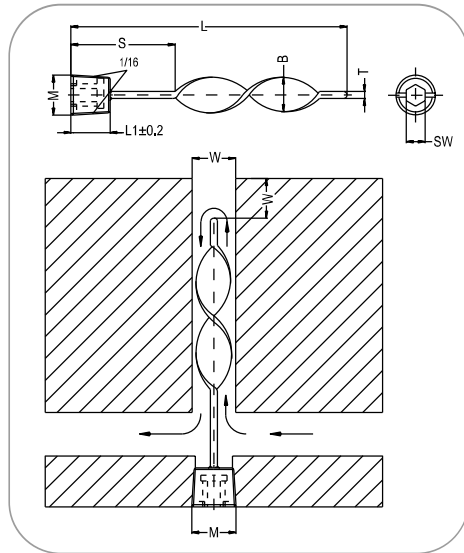
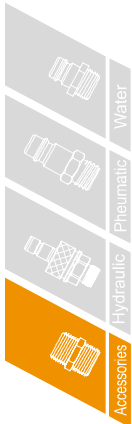


BSPT Thread - Gewinde Order No / Bestell Nr.	NPT Thread - Gewinde Order No / Bestell Nr.	ØD	S	SW	W	B	L	L ₁	T Blade Thickness Klinge Dicks
TBSP 100.08	TNSP100.08	1/16"	51	4	6.5	1/4"	101	8	1,61/16"
TBSP200.08	TNSP 200.08	1/16"	102	4	6.5	1/4"	203	8	1,61/16"
TBSP 100.10	TNSP 100.10	1/8"	51	5	8.5	5/16"	101	8	1,61/16"
TBSP 200.10	TNSP 200.10	1/8"	102	5	8.5	5/16"	203	8	1,61/16"
TBSP 125.13	TNSP 125.13	1/4"	51	7	11.5	7/16"	127	10	2,43/32"
TBSP 250.13	TNSP 250.13	1/4"	102	7	11.5	7/16"	254	10	2,43/32"
TBSP 150.17	TNSP 150.17	3/8"	51	8	15	9/16"	152	10	2,43/32"
TBSP 300.17	TNSP 300.17	3/8"	102	8	15	9/16"	305	10	2,43/32"
TBSP 200.21	TNSP 200.21	1/2"	76	10	18.5	11/16"	203	10	2,43/32"
TBSP 400.21	TNSP 400.21	1/2"	127	10	18.5	11/16"	406	10	2,43/32"
TBSP 300.26	TNSP 300.26	3/4"	102	12	23.5	15/16"	305	12	3,21/8"
TBSP 500.26	TNSP 500.26	3/4"	153	12	23.5	15/16"	508	12	3,21/8"
TBSP 400.33	TNSP 400.33	1"	127	12	28.5	1 1/8"	406	12	3,21/8"
TBSP 600.33	TNSP 600.33	1"	203	12	28.5	1 1/8"	610	12	3,21/8"

ACCESSORIES - ZUBEHÖR

Spiral Blade Plug Baffles With M Conical Thread M konische Auslenkung mit Spiralklingenspitze

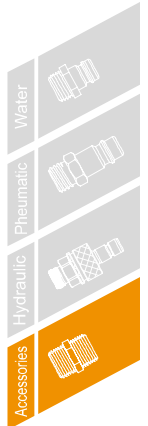
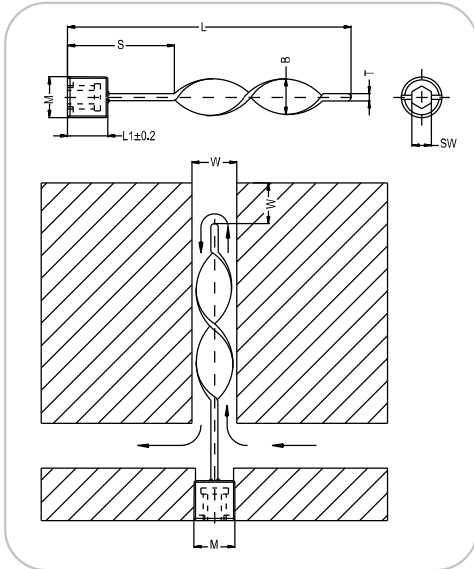
Material : MS58 (Brass) - Messing



Matric Thread - Metrisches Gewinde Order No/ Bestell Nr.	Konik Conical M	S	SW	W	B	L	L ₁	T Blade Thickness Klinge Dicks
TMSPK 100.08	8x0.75	50	4	6	5.8	100	8	1.6
TMSPK 100.08	8x0.75	100	4	6	5.8	200	8	1.6
TMSPK 100.08	8x0.75	150	4	6	5.8	300	8	1.6
TMSPK 100.10	10x1.0	50	5	8	7.8	100	8	1.6
TMSPK 100.10x1.5	10x1.5	50	5	8	7.8	100	8	1.6
TMSPK 200.10	10x1.0	100	5	8	7.8	200	8	1.6
TMSPK 200.10	10x1.0	150	5	8	7.8	300	8	1.6
TMSPK 125.12	12x1.5	50	6	10	9.8	125	8	2.0
TMSPK 125.12x1.5	12x1.75	50	6	10	9.8	125	8	2.0
TMSPK 250.12	12x1.5	100	6	10	9.8	250	8	2.0
TMSPK 150.16	16x1.5	50	8	14	13.8	150	10	2.4
TMSPK 300.16	16x1.5	100	8	14	13.8	300	10	2.4
TMSPK 150.20	20x1.5	50	10	18	17.8	150	10	2.4
TMSPK 300.20	20x1.5	100	10	18	17.8	300	10	2.4
TMSPK 150.24	24x2.9	50	12	20	19.8	150	12	2.5
TMSPK 300.24	24x2.0	100	12	20	19.8	300	12	2.5

Spiral Blade Plug Baffles With M Cylindrical Thread Spiralblatt mit Ende M zylindrische Ablenkplatte

Material : MS58 Brass - Messing



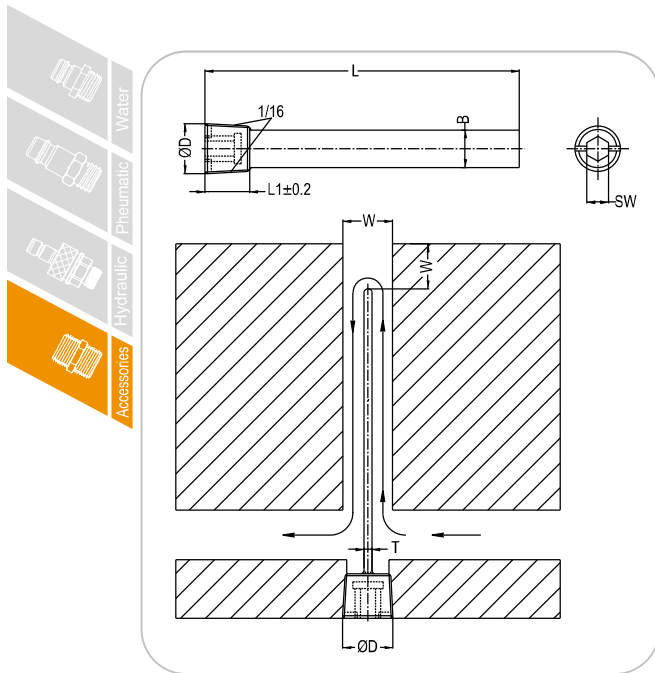
Matric Thread - Metrisches Gewinde Order No/ Bestell Nr.	Cylindrical Plug Gerade Spitze M	S	SW	W	B	L	L ₁	T Blade Thickness Klinge Dicks
TMSP 100.08	8x0.75	50	4	6	5.8	100	8	1.6
TMSP 200.08	8x0.75	100	4	6	5.8	200	8	1.6
TMSP 300.08	8x0.75	150	4	6	5.8	300	8	1.6
TMSP 100.10	10x1.0	50	5	8	7.8	100	8	1.6
TMSP 100.10x1.5	10x1.5	50	5	8	7.8	100	8	1.6
TMSP 200.10	10x1.0	100	5	8	7.8	200	8	1.6
TMSP 300.10	10x1.0	150	5	8	7.8	300	8	1.6
TMSP 125.12	12x1.5	50	6	10	9.8	125	8	2.0
TMSP 125.12x1.75	12x1.75	50	6	10	9.8	125	8	2.0
TMSP 250.12	12x1.5	100	6	10	9.8	250	8	2.0
TMSP 150.16	16x1.5	50	8	14	13.8	150	10	2.4
TMSP 300.16	16x1.5	100	8	14	13.8	300	10	2.4
TMSP 150.20	20x1.5	50	10	18	17.8	150	10	2.4
TMSP 300.20	20x1.5	100	10	18	17.8	300	10	2.4
TMSP 150.24	24x2.9	50	12	20	19.8	150	12	2.5
TMSP 300.24	24x2.0	100	12	20	19.8	300	12	2.5

ACCESSORIES - ZUBEHÖR

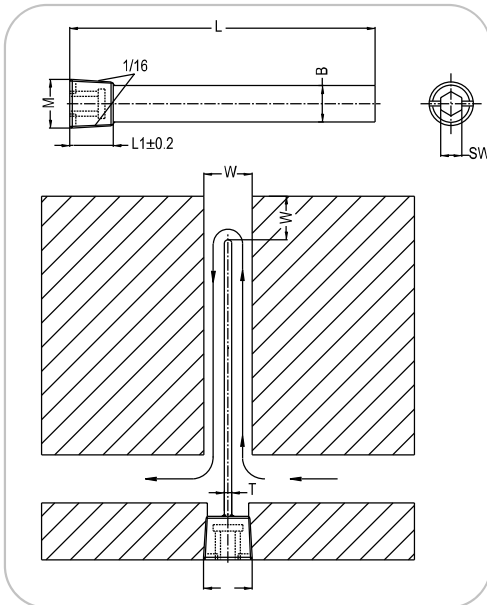
Straight Baffles
With BSPT / NPT Thread

Temperierelemente mit flachem
Teilungsblech (NPT / BSPT Gewinde)

Material : MS58 (Brass) - Messing

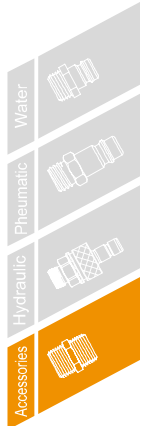


BSPT Thread-Gewinde Order No/ Bestell Nr.	NPT Thread-Gewinde Order No/ Bestell Nr.	R	SW	W	B	L	L ₁	T Blade Thickness
TBDP 100.08	TNDP 100.08	1/16"	4	6.5	6.2	104	8	1.6-1/16"
TBDP 200.08	TNDP 200.08	1/16"	4	6.5	6.2	204	8	1.6-1/16"
TBDP 100.10	TNDP 100.10	1/8"	5	8.5	8.2	104	8	1.6-1/16"
TBDP 200.10	TNDP 200.10	1/8"	5	8.5	8.2	204	8	1.6-1/16"
TBDP 125.13	TNDP 125.13	1/4"	7	11.5	11.2	131	10	2.4-3/32"
TBDP 250.13	TNDP 250.13	1/4"	7	11.5	11.2	258	10	2.4-3/32"
TBDP 150.17	TNDP 150.17	3/8"	8	15	14.2	156	10	2.4-3/32"
TBDP 300.17	TNDP 300.17	3/8"	8	15	14.2	309	10	2.4-3/32"
TBDP 200.21	TNDP 200.21	1/2"	10	18.5	18.2	207	10	2.4-3/32"
TBDP 400.21	TNDP 400.21	1/2"	10	18.5	18.2	410	10	2.4-3/32"
TBDP 300.26	TNDP 300.26	3/4"	12	23.5	23.2	309	12	3.2-1/8"
TBDP 500.26	TNDP 500.26	3/4"	12	23.5	23.2	512	12	3.2-1/8"
TBDP 400.33	TNDP 400.33	1"	17	28.5	28.2	410	12	3.2-1/8"
TBDP 600.33	TNDP 600.33	1"	17	28.5	28.2	614	12	3.2-1/8"



Straight Baffles With M Conical Thread

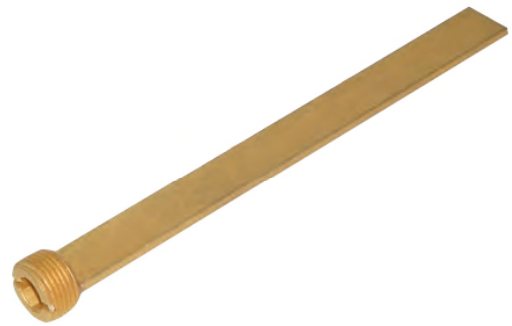
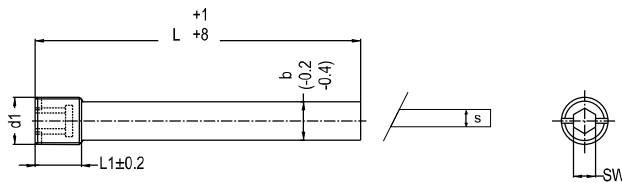
Material : MS58 (Brass) - Messing



Matric Thread Order No/ Bestell Nr.	Konik Conical M	SW	W	B	L	L ₁	T Blade Thickness
--	-----------------------	----	---	---	---	----------------	-------------------------

TMDPK 100.08	8x0.75	4	6	5.8	100	8	1.6
TMDPK 200.08	8x0.75	4	6	5.8	200	8	1.6
TMDPK 100.10	10x1.0	5	8	7.8	100	8	1.6
TMDPK 125.10	10x1.0	5	8	7.8	125	8	1.6
TMDPK 200.10	10x1.0	5	8	7.8	200	8	1.6
TMDPK 250.10	10x1.0	5	8	7.8	250	8	1.6
TMDPK 125.12	12x1.5	6	10	9.8	125	8	2.0
TMDPK 250.12	12x1.5	6	10	9.8	250	8	2.0
TMDPK 150.16	16x1.5	8	14	13.8	150	10	2.4
TMDPK 300.16	16x1.5	8	14	13.8	300	10	2.4
TMDPK 150.20	20x1.5	10	18	17.8	150	10	2.4
TMDPK 300.20	20x1.5	10	18	17.8	300	10	2.4
TMDPK 200.22	22x1.5	10	18.5	18.2	200	10	2.4
TMDPK 300.22	22x1.5	10	18.5	18.2	000	10	2.4
TMDPK 150.24	24x1.5	12	20	19.8	150	10	2.4
TMDPK 300.24	24x1.5	12	20	19.8	300	10	2.4

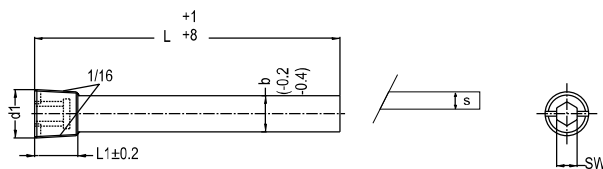
Plug Baffles



Umlenkblech - Zylindrisch Gewinde

Order No/ Bestell Nr.	SW	L1	b	s	d1	L
TZDPK100.08	4	8	6	1.6	M8x0.75	100
TZDPK200.08						200
TZDPK100.10	5	8	8	1.6	M10x1	100
TZDPK200.10						200
TZDPK125.12	6	8	10	2.4	M12x1.5	125
TZDPK250.12						250
TZDPK150.14	7	10	12	2.4	M14x1.5	150
TZDPK300.14						300
TZDPK150.16	8	10	14	2.4	M16x1.5	150
TZDPK300.18						300
TZDPK150.18	8	10	16	2.4	M18x1.5	150
TZDPK300.18						300
TZDPK150.20	10	10	18	2.4	M20x1.5	150
TZDPK300.20						300
TZDPK500.20						500
TZDPK150.24	12	10	20	2.4	M24x2	150
TZDPK300.24						300

Order No/ Bestell Nr.	SW	L1	b	s	d1	L
TZDP100.10	5	8	8.5	1.6	G1/8"	100
TZDP200.10						200
TZDP125.13	7	10	11.5	2.4	G1/4"	125
TZDP250.13						250
TZDP150.17	8	10	15	2.4	G3/8"	150
TZDP300.17						300
TZDP200.21	10	10	18.5	2.4	G1/2"	200
TZDP400.21						400
TZDP300.26	12	12	23.5	3.2	G3/4"	300
TZDP500.26						500

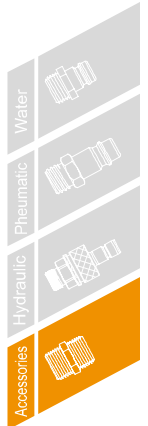
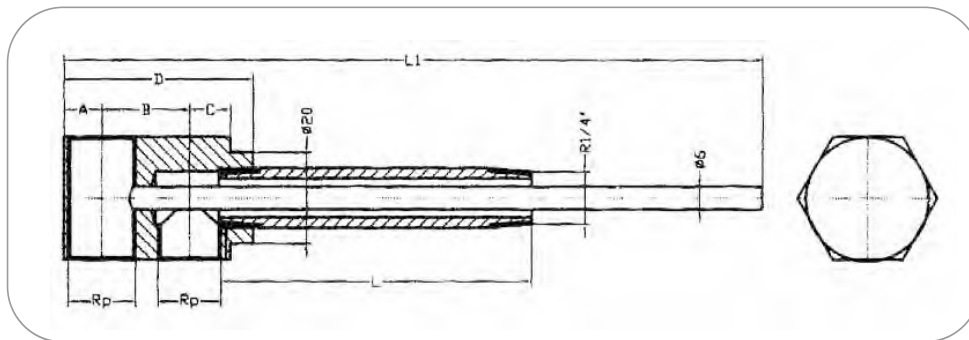


Umlenkblech - Konisches Gewinde

Order No/ Bestell Nr.	SW	L1	b	s	d1	L
TMDPK100.08	4	8	6	1.6	M8x0.75	100
TMDPK200.08						200
TMDPK100.10	5	8	8	1.6	M10x1	100
TMDPK200.10						200
TMDPK125.12	6	10	10	2.4	M12x1.5	125
TMDPK250.12						250
TMDPK150.14	7	10	12	2.4	M14x1.5	150
TMDPK300.14						300
TMDPK150.16	8	10	14	2.4	M16x1.5	150
TMDPK300.16						300
TMDPK150.20	10	10	18	2.4	M20x1.5	150
TMDPK300.20						300
TMDPK500.20						500
TMDPK150.24	12	10	20	2.4	M24x2	150
TMDPK300.24						300

Order No/ Bestell Nr.	SW	L1	b	s	d1	L
TBDP100.10	5	8	8.5	1.6	R1/8"	100
TBDP200.10						200
TBDP125.13	7	10	11.5	2.4	R1/4"	125
TBDP250.13						250
TBDP150.17	8	10	15	2.4	R3/8"	150
TBDP300.17						300
TBDP200.21	10	10	18.5	2.4	R1/2"	200
TBDP400.21						400
TBDP300.26	12	12	23.5	3.2	R3/4"	300
TBDP500.26						500

BVS / BLS Cascade
 Kaskaden - Temperierelemente für Standardbohrungen
 Material : MS58 (Brass) - Messing



Order No/ Bestell Nr.	Rp	A	B	C	D	L ₁	L
-----------------------	----	---	---	---	---	----------------	---

TBVS 10X50	1/8"	9	19	9	42	356	50
TBVS 10X100	1/8"	9	19	9	42	356	100
TBVS 10X150	1/8"	9	19	9	42	356	150
TBVS 10X200	1/8"	9	19	9	42	356	200
TBVS 13X50	1/4"	9	19	9	42	356	50
TBVS 13X100	1/4"	9	19	9	42	356	100
TBVS 13X150	1/4"	9	19	9	42	356	150
TBVS 13X200	1/4"	9	19	9	42	356	200

Order No/ Bestell Nr.	Rp	A	B	C	D	L ₁	L
-----------------------	----	---	---	---	---	----------------	---

TBLS 10X50	1/8"	9	26	12	54	362	50
TBLS 10X100	1/8"	9	26	2	54	362	100
TBLS 10X150	1/8"	9	26	12	54	362	150
TBLS 10X200	1/8"	9	26	12	54	362	200
TBLS 13X50	1/4"	9	26	12	54	362	50
TBLS 13X100	1/4"	9	26	12	54	362	100
TBLS 13X150	1/4"	9	26	12	54	362	150
TBLS 13X200	1/4"	9	26	12	54	362	200

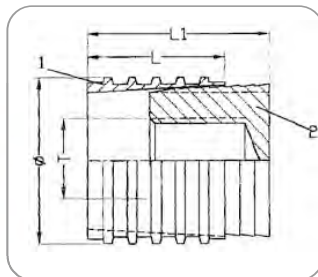
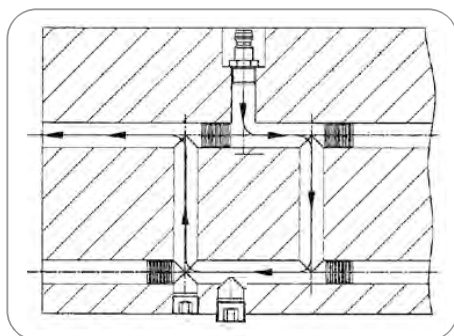
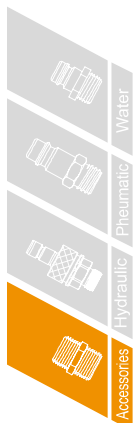
ACCESSORIES - ZUBEHÖR

HKT Threadless Pressure Plug HKT Gewindeloses Druckdüse

Interchangeability - Kompatibilität : HASCO Z 942

Material :

- 1 - MS58 Brass - Messing
- 2 - Stainless Steel - Edelstahl



Order No/ Bestell Nr.	T	Ø	L	L ₁	Package Pcs. Paket Stück
-----------------------	---	---	---	----------------	-----------------------------

THKT - 06	M3	6	8	11.5	25
THKT - 08	M4	8	8	11.5	25
THKT - 10	M6	10	10	14	25
THKT - 12	M6	12	10	14	15
THKT - 15	M8	15	12	16	15
THKT - 16	M8	16	12	16	15
THKT - 20	M8	20	12	16	15

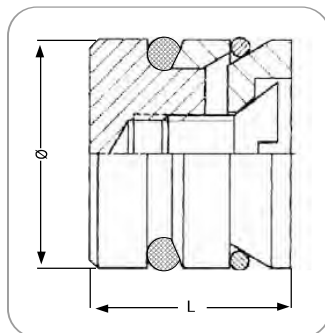
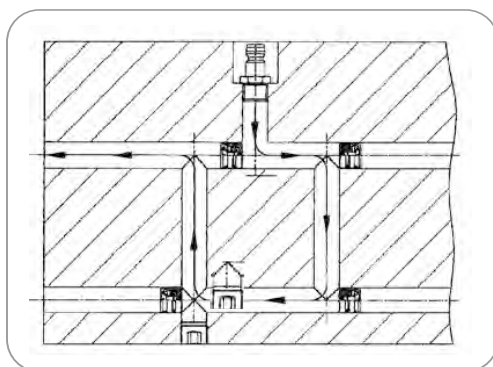
DKT Threadless Pressure Plug DKT Gewindeloses Druckdüse

Interchangeability - Kompatibilität : EOC KN/105

Material : MS58 Brass - Messing

O-Ring : Viton®

Max. Is1 - Max. Temp. :200°C



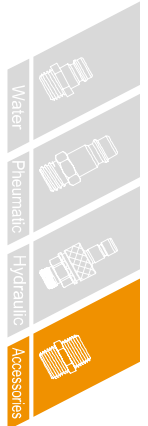
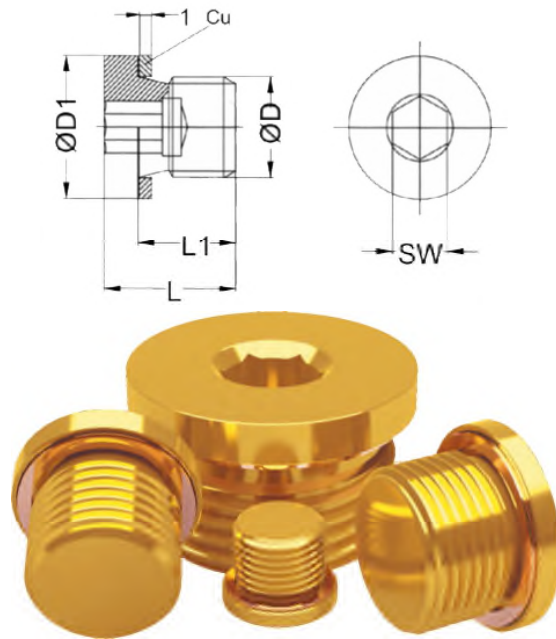
Order No/ Bestell Nr.	Ø	L	Package Pcs. Paket Stück
-----------------------	---	---	-----------------------------

TDKT - 06	6	10	10
TDKT - 07	7	10	10
TDKT - 08	8	10	10
TDKT - 8.5	8.5	10	10
TDKT - 10	10	10	10
TDKT - 11.5	11.5	10	10
TDKT - 12	12	10	10
TDKT - 14	14	12	10
TDKT - 15	15	12	10
TDKT - 16	16	12	10
TDKT - 20	20	12	10
TDKT - 22	22	12	10

Pressure Plug / KFR Verschlussstopfen

Material : Brass - Messing

Order No Bestell Nr.	ØD	ØD1	L	L1	SW
TKFR10	G1/8"	16	11	8	5
TKFR13	G1/4"	18	15	12	6
TKFR17	G3/8"	22	15	12	8
TKFR21	G1/2"	24	18	14	10
TKFR26	G3/4"	32	20	15	12
TKFR33	G1"	39	21	16	17
TKFM10	M10x1	14	11	8	5
TKFM12	M12x1.5	17	15	12	6
TKFM14	M14x1.5	19	15	12	6
TKFM16	M16x1.5	21	15	12	8
TKFM22	M22x1.5	27	18	15	10
TKFM24	M24x1.5	30	18	15	12



BSP = G
NPT = N

M = Metric
NPT = N

Dis Thread	Order No Bestell Nr.
N/G 1/4"	TKTS 13
N/G 3/8"	TKTS 17
N/G 1/2"	TKTS 21
N/G 3/4"	TKTS 26
N/G 1"	TKTS 33
N/G 1.1/4"	TKTS 42
N/G 1.1/2"	TKTS 48
N/G 2"	TKTS 60

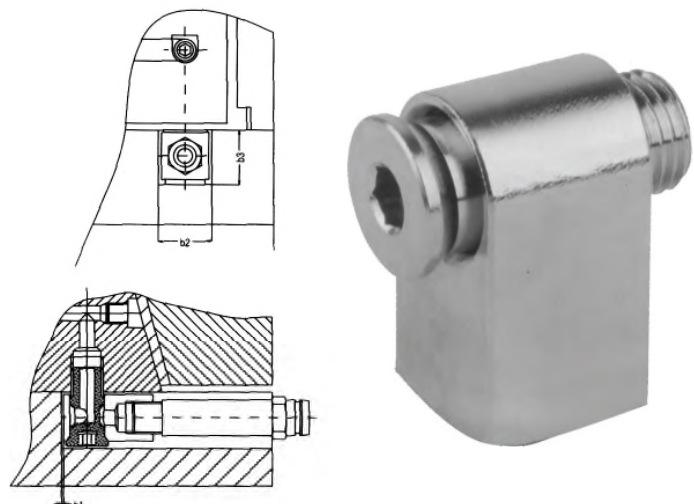
Dis Thread	Order No Bestell Nr.
M 10	TKTM 10
M12	TKTM 12
M14	TKTM 14
M16	TKTM 16
M18	TKTM 18
M22	TKTM 22



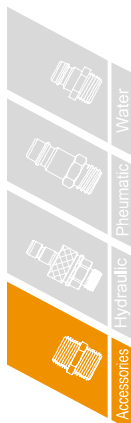
Rotatable connector - Umdrehende Anschlüsse

Material : MS58 (Brass) - Messing

Order No Bestell Nr.		b1	b2	b3
THDB10	G1/8"	1	16	17
THDBM10	M10x1	1	16	17
THDB13	G1/4"	1	16	23
THDBM14	M14x1.5	1	16	23
THDB21	G1/2"	1	16	35.5



HOSES - SCHLÄUCHE



Water Hoses(Plock) Wasserschlauch (Plok)

Order No Bestell Nr.	Internal Dia.		Outside Dia mm	Max. Working Pressure at 20°C Bar	Bursting Pressure at 20°C Bar	Length Länge m.	Colour	
	mm	Inch.					Blue	Blau
TWRH - 10B	9.5	3/8	16.7	28	50	100	Blue	Blau
TWRH - 10R	9.5	3/8	16.7	28	50	100	Red	Rot
TWRH - 13B	12.7	1/2	21.4	28	50	100	Blue	Blau
TWRH - 13R	12.7	1/2	21.4	28	50	100	Red	Rot

Working Temperature Range- Betriebstemperatur

Static conditions- Statische Bedingungen : -20°C to + 120°C
Dynamic conditions- Dynamische Bedingungen : - 5°C to + 90°C

Structure

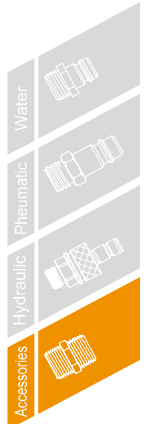
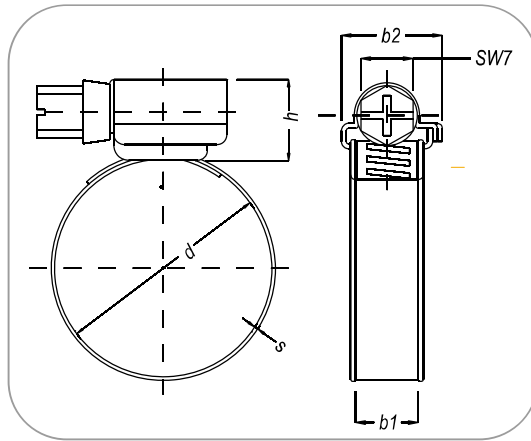
Medium pressure water hose with special mixture of powder rubber, kink resistant smooth outside and abrasion resistant.
Available in black, red, blue and yellow covers.

Eigenschaften

Es ist ein Wasserschlauch mit mittlerem Druck, der mit einer speziellen Mischung aus pulverförmigem Gummi hergestellt wird.
Auch gegen äußere Rissbildung und Abrieb beständig
Es ist glatt.
Rote, blaue Kappen sind verfügbar..

Please consult us for hoses in other colours
Bitte konsultieren Sie uns für Schläuche in anderen Farben.

WORM DRIVE CLAMPS WURM-ANTRIB KLEMME



Order No Bestell Nr.	Hose Od Diam Schlauch od Daim		b ₁ mm	b ₂ max.mm	S mm	h max.mm	AD Nm max	PD Nm max	Qty/Pack PD	Weight (Kg)
	mm	Inch								
TWD 12-16.25	16-25	5/8 - 1	120	200	0.7	120	5.0	65	500	9.3
TWD 12-16.27	17-27	5/16 - 1.1/16	120	200	0.7	120	5.0	65	500	9.5
TWD 12-20.32	20-32	3/4 - 1.1/4	120	200	0.7	120	5.0	65	500	10.0
TWD 12-23.35	23-35	7/8 - 1.1/3	120	200	0.7	120	5.0	65	500	10.7
TWD 12-25.40	25-40	1 - 1.1/8	120	200	0.7	120	5.0	65	500	11.2
TWD 12-30.45	30-45	1.3/8 - 1.3/4	120	200	0.7	120	5.0	65	500	11.7
TWD 12-32.50	32-50	1.1/4 - 2	120	200	0.7	120	5.0	65	500	12.2
TWD 12-40.60	40-60	1.5/8 - 2.3/8	120	200	0.7	120	5.0	65	500	13.5
TWD 12-50.70	50-70	2 - 2.3/4	120	200	0.7	120	5.0	65	500	14.6
TWD 12-60.80	60-80	2.3/8 - 3.1/8	120	200	0.7	120	5.0	65	500	15.7
TWD 12-70.90	70-90	2.3/4 - 3.1/4	120	200	0.7	120	5.0	65	250	13.6
TWD 12-80.100	80-100	3.1/8 - 4	120	200	0.7	120	5.0	65	250	9.3
TWD 12-90.110	90-110	3.1/2 - 4.3/8	120	200	0.7	120	5.0	65	250	9.9
TWD 12-90.120	90-120	4 - 4.3/4	120	200	0.7	120	5.0	65	250	10.4
TWD 12-110.130	110-130	4.3/8 - 5.1/8	120	200	0.7	120	5.0	65	250	8.9
TWD 12-120.140	120-140	4.3/4 - 5.1/2	120	200	0.7	120	5.0	65	200	9.3
TWD 12-130.150	130-150	4.1/8 - 5.7/8	120	200	0.7	120	5.0	65	200	9.8
TWD 12-140.160	140-160	5.1/2 - 6.5/4	120	200	0.7	120	5.0	65	200	10.2
TWD 12-150.170	150-170	5.7/8 - 6.1/8	120	200	0.7	120	5.0	65	200	10.6
TWD 12-160.180	160-180	6.1/4 - 7	120	200	0.7	120	5.0	65	150	8.5
TWD 12-170.190	170-190	6.5/8 - 7.3/8	120	200	0.7	120	5.0	65	100	8.8
TWD 12-180.200	180-200	7 - 7.7/8	120	200	0.7	120	5.0	65	100	6.4

Worm Drive Clamps

- Production confirm to DIN 3017
- Band Widths are : 9 mm (WD 9)
- Embossed clamp band non-perforated
- Hexagon Sw7 with slotted screw head
- Large Clamping range

Klemmzange

- Standard 3017 DIN
- Bandbreiten sind diese. 9 mm (WD9)
- Nicht geprägtes Klemmband
- HaxoGen SW7 mit perforiertem Schraubenkopf
- Große Verdichtungsfläche

