

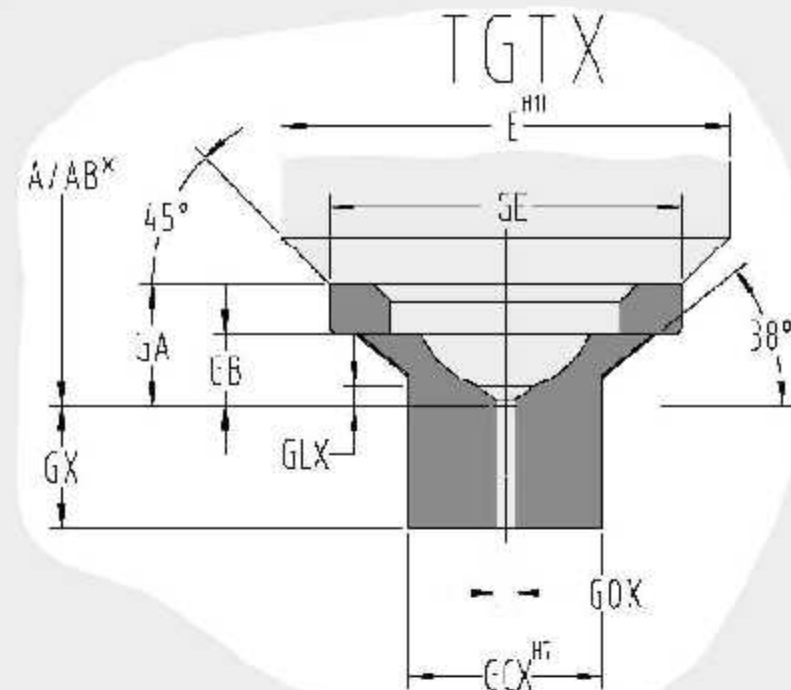
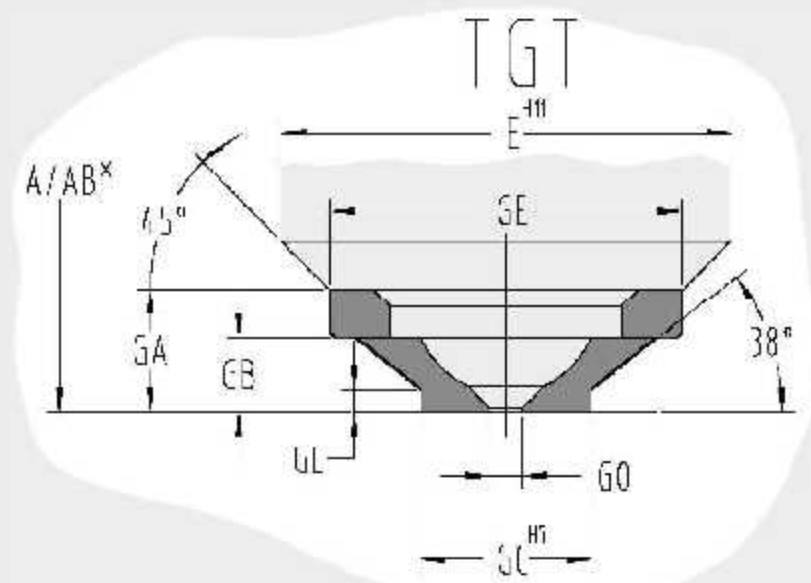
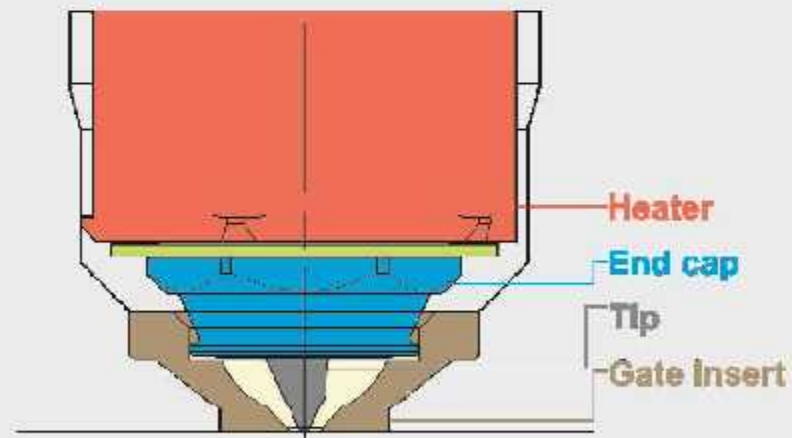
UUSIA KÄRKI-INSERTTEJÄ MASTERFLOWLTA

- SOPIVAT TGT JA OGT – KÄRKIEN SOVITTAMISEEN MUOTTIIN
 - VIOITTUNEEN PORTTIALUEEN KORJAAMISEEN
 - VAIHDETTAESSA MASTERFLOW SUUTIN TOISEN SUUTTIMEN TILALLE
- KAKSI MALLIA, JÄÄHDYTETTÄVÄ JA ILMAN JÄÄHDYTYSTÄ

MFGI

Gate Insert for reliable and repairable
Topless gating - TipGate and OpenGate

2.81E



MasterFlow is an approved quality system for moulding with hot runner technology.

Our engineers have considered both old and new experiences when designing the system. For moulding sensitive components, only verified solutions are chosen.

With more than 35 years in hot runner business and thousands of hot runner systems delivered, we can guarantee best assistance from mold design to production optimizing.

MasterFlow is manufactured in Sweden by skilled workers and engineers.

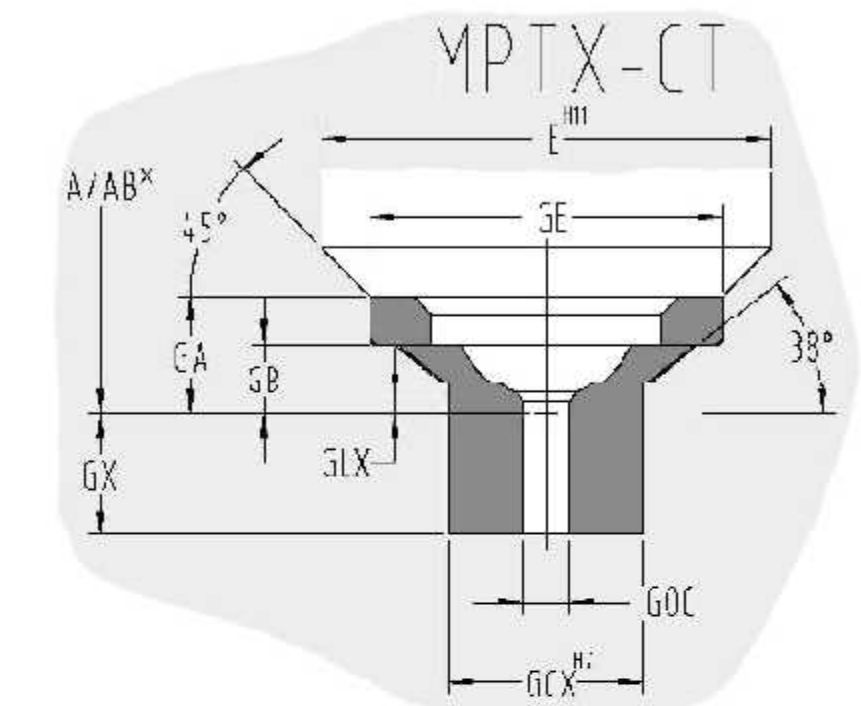
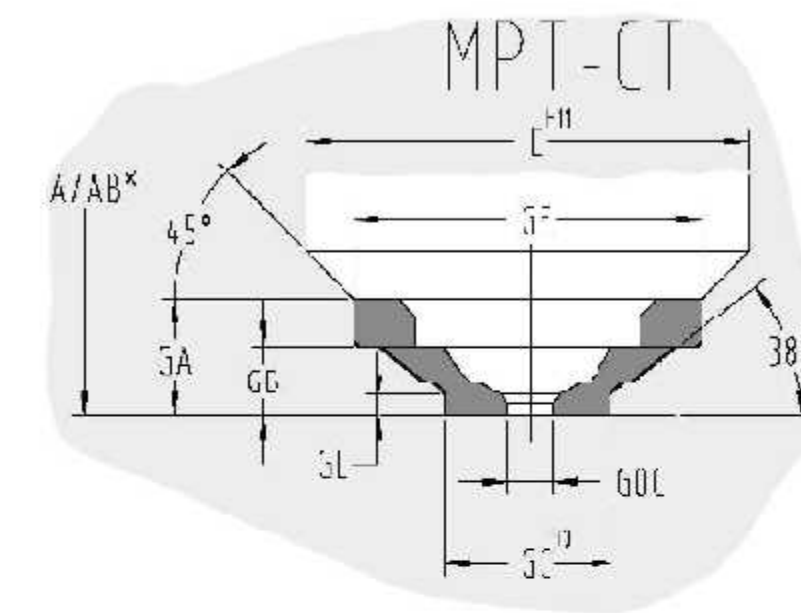
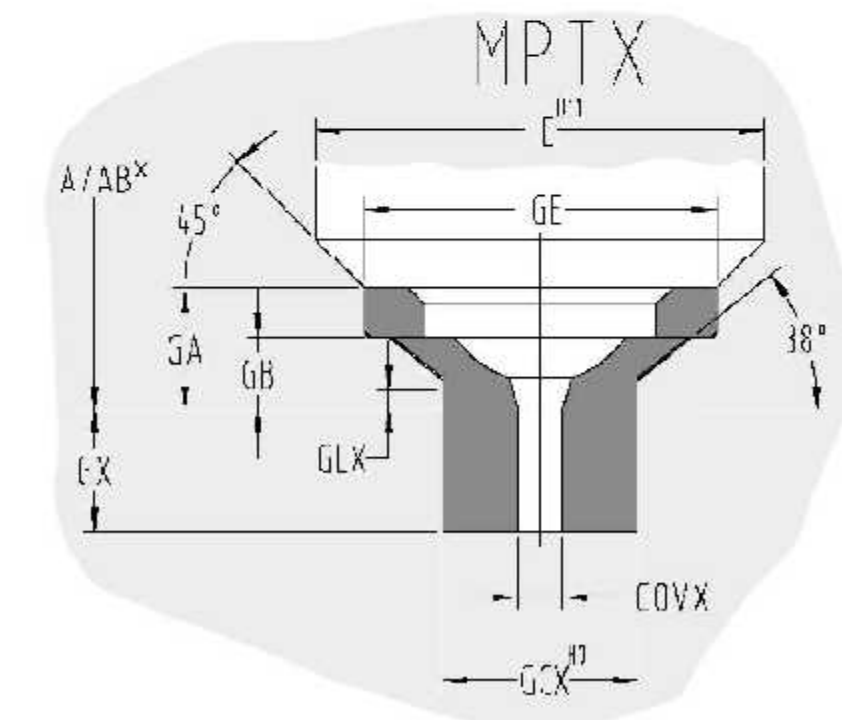
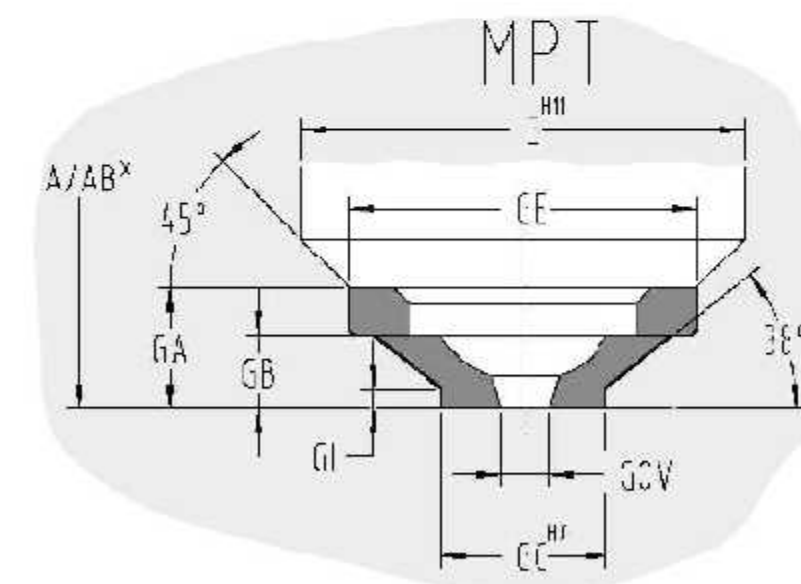
High quality, fast and competent service, satisfied customers and reasonable price.

Series	20	30	40	50
A/AB*	Bushing + expansion			
GA	5	8	10	15
GB	3	5	6	7
∅ GC	7	10	14	24
∅ GCX	8	12	16	26
∅ GE	16	23	29	43
GL	0,8	1,1	1,7	3
GLX	1,2	1,9	2,5	3,8
∅ GO	1,2	1,8	2,8	3,8
∅ GOX	0,8	1	1,5	2,5
GX	5	8,5	10	12
∅ E	18	28	37	46

Because of our program of continuous product improvements, MasterFlow reserves the right to change specifications and design without notice and without incurring obligation.

2.81Eb

Gate Insert for reliable and repairable
Topless gating - MovablePin (Valve Gate)

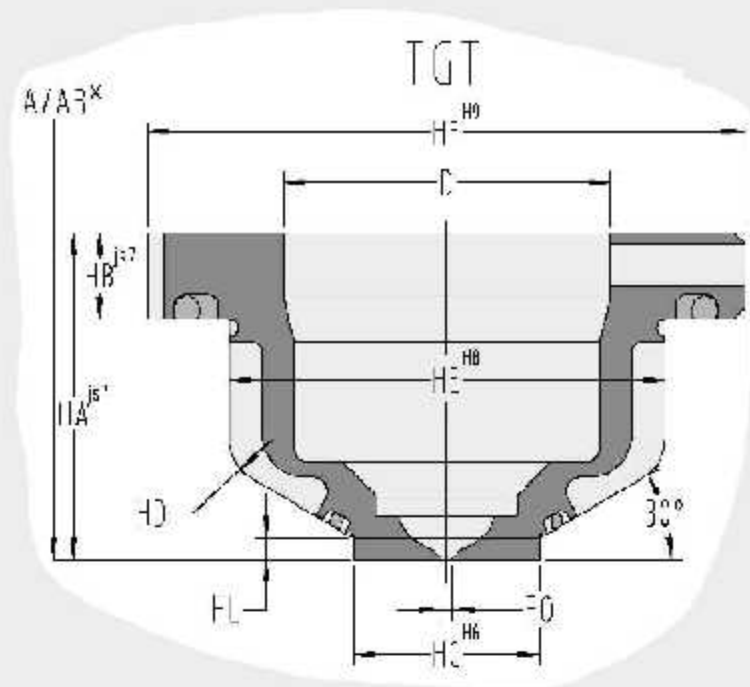
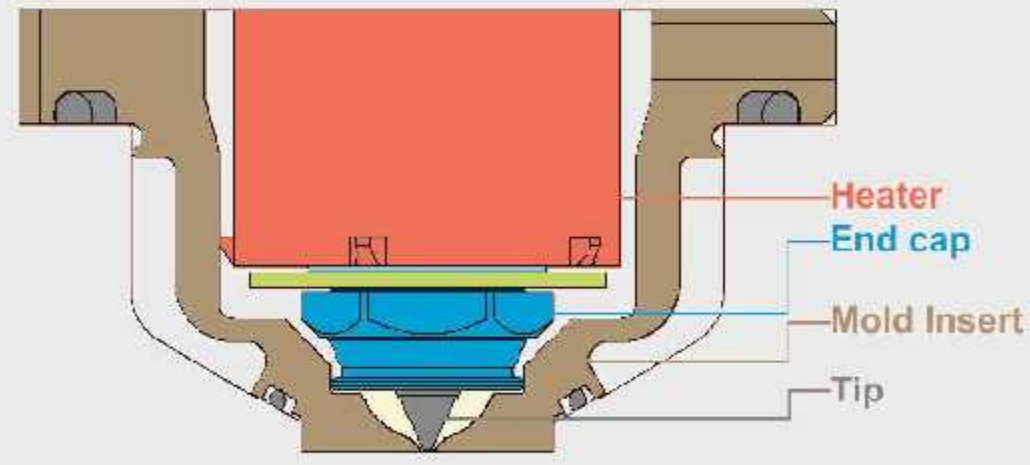


Because of our program of continuous product improvements, MasterFlow reserves the right to change specifications and design without notice and without incurring obligation.

Series	A* / AB*	GA	GB	GC ∅	GCV ∅	GE ∅	GL	GLX	GOV ∅	GOVX ∅	GOC ∅	GX
20	Bushing + expansion	5	3	7	8	16	0,8	1,2	1,5	1,2	1,5	5
30		8	5	10	12	23	1,1	1,9	2,0	1,8	2,0	8,5
40		10	6	14	16	29	1,7	2,5	4,0	3,6	3,8	10
50		15	7	24	26	43	3,0	3,8	6,0	5,8	6,0	12

MFMI Mold Insert for superior cooling and gate control.

2.82E



MasterFlow is an approved quality system for moulding with hot runner technology.

Our engineers have considered both old and new experiences when designing the system. For moulding sensitive components, only verified solutions are chosen.

With more than 35 years in hot runner business and thousands of hot runner systems delivered, we can guarantee best assistance from mold design to production optimizing.

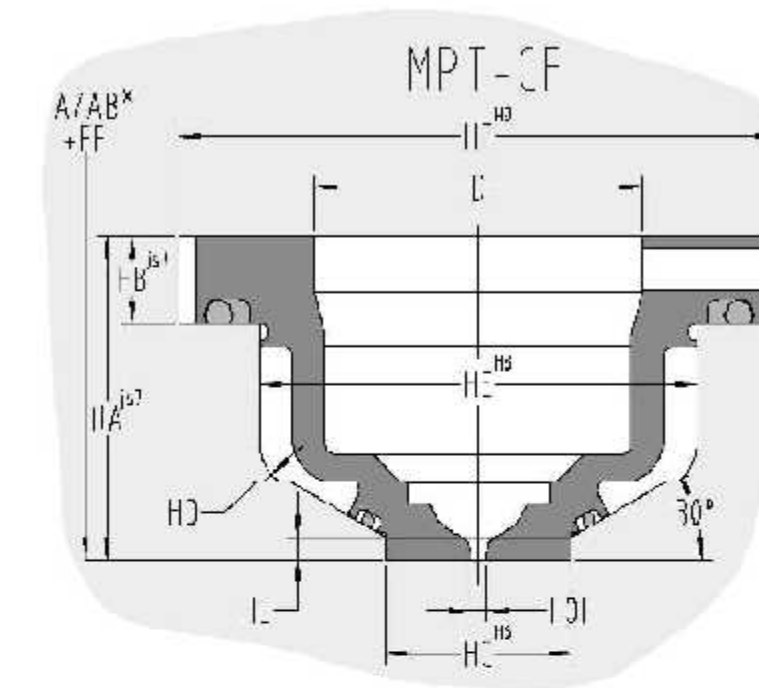
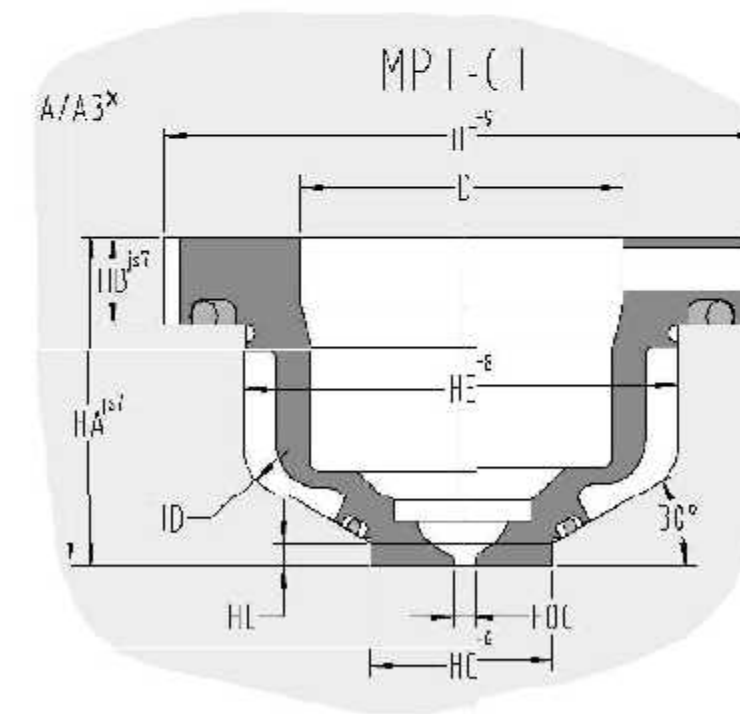
MasterFlow is manufactured in Sweden by skilled workers and engineers.

High quality, fast and competent service, satisfied customers and reasonable price.

Series	30	40
A/AB*	Bushing + expansion	
∅ D	30	39
∅ FO	1,0	1,5
HA	30	30
HB	8	8
∅ HC	17	24
r HD	4	6
∅ HE	40	51
∅ HF	55	64
HL	2	3,65

Because of our program of continuous product improvements, MasterFlow reserves the right to change specifications and design without notice and without incurring obligation.

2.82Eb Mold Insert for superior cooling and gate control.



Because of our program of continuous product improvements, MasterFlow reserves the right to change specifications and design without notice and without incurring obligation.

Series	A/AB*	D	FOC	FOF	HA	HB	HC	HD	HE	HF	HL
30	Bushing + expansion	30	2,0	1,5	30	8	17	4	40	55	2
40	Bushing + expansion	39	3,8	3,0	30	8	24	6	51	64	3,65